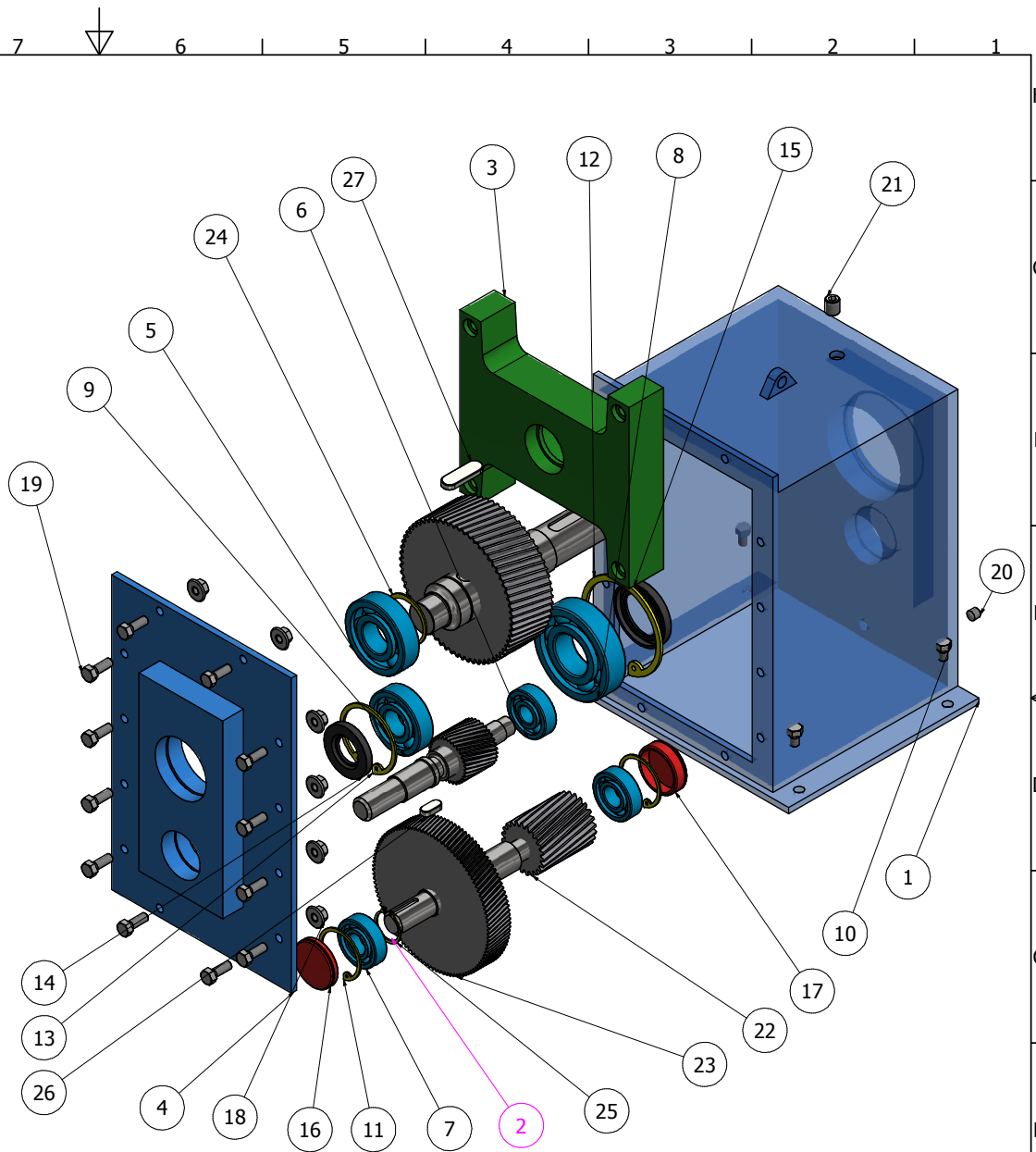



| PARTS LIST | | | |
|------------|-----|---|---|
| ITEM | QTY | PART NUMBER | DESCRIPTION |
| 1 | 1 | Caja | |
| 2 | 3 | Shaft | |
| 3 | 1 | Tabique | |
| 4 | 1 | Tapa | |
| 5 | 1 | STN 024640 SKF (B) - SKF 6306-2RS1 | Deep groove ball bearings single row with two RS1 seals SKF |
| 6 | 1 | STN 024640 SKF (B) - SKF 6303-2RS1 | Deep groove ball bearings single row with two RS1 seals SKF |
| 7 | 2 | STN 024640 SKF (D) - SKF 6204-2Z | Deep groove ball bearings single row with two Z shields SKF |
| 8 | 1 | STN 024640 SKF (D) - SKF 6308-2Z | Deep groove ball bearings single row with two Z shields SKF |
| 9 | 1 | STN 024640 SKF (D) - SKF 6305-2Z | Deep groove ball bearings single row with two Z shields SKF |
| 10 | 4 | ANSI/ASME B18.2.1 - 5/16-18 UNC - 0.5 | Hex Bolt - UNC (Regular Thread - Inch) |
| 11 | 2 | MS 16625 - 1.850 | Industrial Internal Retaining Rings, Series 3000 |
| 12 | 1 | MS 16625 - 3.562 | Industrial Internal Retaining Rings, Series 3000 |
| 13 | 1 | MS 16625 - 2.500 | Industrial Internal Retaining Rings, Series 3000 |
| 14 | 1 | ANSI/B93.98M - 25x52x7-Type 5 | Rotary shaft lip type seals 5 - Metal cased with minor lip |
| 15 | 1 | ANSI/B93.98M - 40x62x8-Type 2 | Rotary shaft lip type seals 2 - Metal cased |
| 16 | 1 | Tapa_entrada | |
| 17 | 1 | Tapa_salida | |
| 18 | 12 | IFI - I0.3125 - 18 | Large Hex Flange Nut |
| 19 | 12 | ANSI/ASME B18.2.1 - 5/16-18 UNC - 0.875 | Hex Bolt - UNC (Regular Thread - Inch) |
| 20 | 1 | ANSI B18.3 - 3/8-24 UNF x 0.375 | Hexagon Socket Set Screw - Oval Point |
| 21 | 1 | ANSI B18.3 - 1/2-20 UNF x 0.63 | Hexagon Socket Set Screw - Oval Point |
| 22 | 2 | Spur Gear1 | |
| 23 | 2 | Spur Gear2 | |
| 24 | 1 | MS 16624 - 1.750 | Industrial External Retaining Rings, Series 3100 |
| 25 | 1 | MS 16624 - 1.125 | Industrial External Retaining Rings, Series 3100 |
| 26 | 1 | ISO 2491 - A 10 x 6 x 22 | Thin parallel keys |
| 27 | 1 | ISO 2491 - A 14 x 6 x 45 | Thin parallel keys |



| | | | |
|---|---|--------------------|-----------|
|  | UNIVERSIDAD NACIONAL DEL ALTIPLANO - PUNO | | 09 |
| | TITULO: REDUCTOR DE VELOCIDAD ENSAMBLAJE DEL REDUCTOR | | |
| | DISEÑADO POR: Edwin Chipana Valdivia | MATERIAL: DIVERSOS | |
| | APROBADO POR: Miembros de Jurado de Tesis | ESCALA: S/E | |
| | | FECHA: 10/10/2016 | |